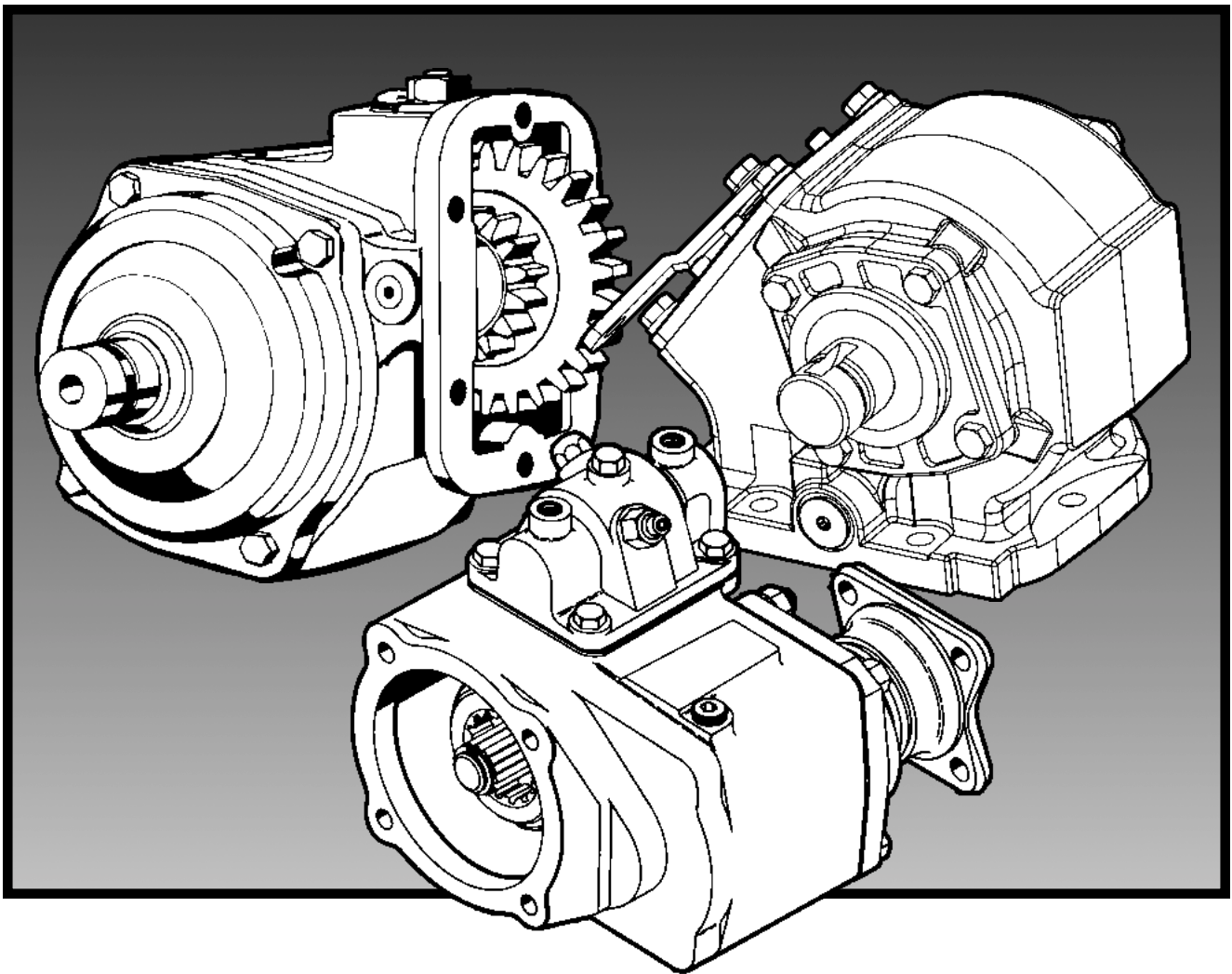


Parts List Stud Kits

Effective: March 15, 2002
Supersedes: P410-SK Dated August, 1999



 **WARNING**

FAILURE OR IMPROPER SELECTION OR IMPROPER USE OF THE PRODUCTS AND/OR SYSTEMS DESCRIBED HEREIN OR RELATED ITEMS CAN CAUSE DEATH, PERSONAL INJURY AND PROPERTY DAMAGE.

This document and other information from Parker Hannifin Corporation, its subsidiaries and authorized distributors provide product and/or system options for further investigation by users having technical expertise. It is important that you analyze all aspects of your application and review the information concerning the product or system in the current product catalog. Due to the variety of operating conditions and applications for these products or systems, the user, through its own analysis and testing, is solely responsible for making the final selection of the products and systems and assuring that all performance, safety and warning requirements of the application are met.

The products described herein, including without limitation, product features, specifications, designs, availability and pricing, are subject to change by Parker Hannifin Corporation and its subsidiaries at any time without notice.

Offer of Sale

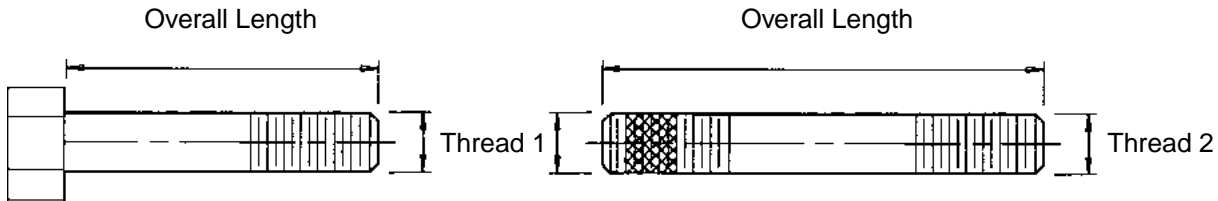
The items described in this document are hereby offered for sale by Parker Hannifin Corporation, its subsidiaries or its authorized distributors. This offer and its acceptance are governed by the provisions stated in the "Offer of Sale".

© Copyright 2002, Parker Hannifin Corporation, All Rights Reserved

Contents

English Stud Cross Reference by Length	1-3
P.T.O. English Kit Parts List	4-12
Metric Stud Cross Reference by Length	13-14
P.T.O. Metric Kit Parts List	15-16
English and Metric Where Used	17-21
Offer of Sale	24

2 X Thread Engagement Cross Reference by Length



New Part No.	Description	Thread 1	Thread 2	Overall Length
378285-1	HEX. CAPSCREW	.312"-24		0.625"
379433-4	SOC. CAPSCREW	.375"-16		0.750"
379433-5	SOC. CAPSCREW	.375"-16		0.875"
379287-9	HEX. CAPSCREW	.438"-14		0.875"
379433-6	SOC. CAPSCREW	.375"-16		1.000"
379287-10	HEX. CAPSCREW	.438"-14		1.000"
379286-11	HEX. CAPSCREW	.375"-16		1.125"
379287-11	HEX. CAPSCREW	.438"-14		1.125"
379286-12	HEX. CAPSCREW	.375"-16		1.250"
379287-12	HEX. CAPSCREW	.438"-14		1.250"
379286-13	HEX. CAPSCREW	.375"-16		1.375"
379286-14	HEX. CAPSCREW	.375"-16		1.500"
379286-15	HEX. CAPSCREW	.375"-16		1.625"
379423-12	STUD	.375"-16	.375"-24	1.625"
379423-13	STUD	.375"-16	.375"-24	1.750"
379423-13	STUD	.375"-16	.375"-24	1.750"
379423-14	STUD	.375"-16	.375"-24	1.750"
379433-9	SOC. CAPSCREW	.375"-16		1.750"
379457-13	STUD - (SHOULDER)	.375"-16	.375"-24	1.750"
379457-14	STUD - (SHOULDER)	.375"-16	.375"-24	1.750"
379287-16	HEX. CAPSCREW	.438"-14		1.750"
379423-15	STUD	.375"-16	.375"-24	1.875"
379423-16	STUD	.375"-16	.375"-24	1.875"
379287-17	HEX. CAPSCREW	.438"-14		1.875"
379423-18	STUD	.375"-16	.375"-24	2.000"
379433-10	SOC. CAPSCREW	.375"-16		2.000"
379423-20	STUD	.375"-16	.375"-24	2.125"
379423-22	STUD	.375"-16	.375"-24	2.250"
379424-21	STUD	.438"-14	.438"-20	2.250"
379424-22	STUD	.438"-14	.438"-20	2.250"
379286-21	HEX. CAPSCREW	.375"-16		2.375"
379423-24	STUD	.375"-16	.375"-24	2.375"
379424-24	STUD	.438"-14	.438"-20	2.375"
379286-22	HEX. CAPSCREW	.375"-16		2.500"
379286-22	HEX. CAPSCREW	.375"-16		2.500"

2 X Thread Engagement Cross Reference by Length

New Part No.	Description	Thread 1	Thread 2	Overall Length
379423-26	STUD	.375"-16	.375"-24	2.500"
379433-12	SOC. CAPSCREW	.375"-16		2.500"
379424-26	STUD	.438"-14	.438"-20	2.500"
379286-23	HEX. CAPSCREW	.375"-16		2.625"
379423-28	STUD	.375"-16	.375"-24	2.625"
379286-24	HEX. CAPSCREW	.375"-16		2.750"
379423-30	STUD	.375"-16	.375"-24	2.750"
379433-13	SOC. CAPSCREW	.375"-16		2.750"
379424-29	STUD	.438"-14	.438"-20	2.750"
379286-25	HEX. CAPSCREW	.375"-16		2.875"
379423-32	STUD	.375"-16	.375"-24	2.875"
379424-32	STUD	.438"-14	.438"-20	2.875"
379423-34	STUD	.375"-16	.375"-24	3.000"
379433-14	SOC. CAPSCREW	.375"-16		3.000"
379424-34	STUD	.438"-14	.438"-20	3.000"
379423-36	STUD	.375"-16	.375"-24	3.125"
379424-36	STUD	.438"-14	.438"-20	3.125"
378431-27	HEX. CAPSCREW	.375"-16		3.250"
378935	HEX. CAPSCREW - (SHOULDER)		.375"-16	3.250"
379423-38	STUD	.375"-16	.375"-24	3.250"
379423-40	STUD	.375"-16	.375"-24	3.375"
379424-40	STUD	.438"-14	.438"-20	3.375"
379286-28	HEX. CAPSCREW	.375"-16		3.500"
379423-42	STUD	.375"-16	.375"-24	3.500"
379424-42	STUD	.438"-14	.438"-20	3.500"
379423-44	STUD	.375"-16	.375"-24	3.625"
379424-43	STUD	.438"-14	.438"-20	3.625"
379286-29	HEX. CAPSCREW	.375"-16		3.750"
379423-46	STUD	.375"-16	.375"-24	3.750"
379287-29	HEX. CAPSCREW	.438"-14		3.750"
379424-46	STUD	.438"-14	.438"-20	3.750"
379423-48	STUD	.375"-16	.375"-24	3.875"
379286-30	HEX. CAPSCREW	.375"-16		4.000"
379423-50	STUD	.375"-16	.375"-24	4.000"
379424-50	STUD	.438"-14	.438"-20	4.000"
379293-54	STUD	.375"-16	.375"-24	4.125"
379423-52	STUD	.375"-16	.375"-24	4.125"
379286-31	HEX. CAPSCREW	.375"-16		4.250"
379423-54	STUD	.375"-16	.375"-24	4.250"
379287-31	HEX. CAPSCREW	.438"-14		4.250"
379423-56	STUD	.375"-16	.375"-24	4.375"
379286-32	HEX. CAPSCREW	.375"-16		4.500"
379423-58	STUD	.375"-16	.375"-24	4.500"
379433-18	SOC. CAPSCREW	.375"-16		4.500"
379293-59	STUD	.376"-16	.375"-24	4.500"

2 X Thread Engagement Cross Reference by Length

New Part No.	Description	Thread 1	Thread 2	Overall Length
379287-32	HEX. CAPSCREW	.438"-14		4.500"
379423-60	STUD	.375"-16	.375"-24	4.625"
379286-33	HEX. CAPSCREW	.375"-16		4.750"
379286-33	HEX. CAPSCREW	.375"-16		4.750"
379423-62	STUD	.375"-16	.375"-24	4.750"
379423-64	STUD	.375"-16	.375"-24	4.875"
379286-34	HEX. CAPSCREW	.375"-16		5.000"
379423-66	STUD	.375"-16	.375"-24	5.000"
379287-34	HEX. CAPSCREW	.438"-14		5.000"
379423-68	STUD	.375"-16	.375"-24	5.125"
379423-70	STUD	.375"-16	.375"-24	5.250"
379287-35	HEX. CAPSCREW	.438"-14		5.250"
379423-72	STUD	.375"-16	.375"-24	5.375"
379286-36	HEX. CAPSCREW	.375"-16		5.500"
379423-74	STUD	.375"-16	.375"-24	5.500"
379287-36	HEX. CAPSCREW	.438"-14		5.500"
379423-76	STUD	.375"-16	.375"-24	5.625"
379287-37	HEX. CAPSCREW	.438"-14		5.750"
379286-38	HEX. CAPSCREW	.375"-16		6.000"
379423-82	STUD	.375"-16	.375"-24	6.000"
379287-38	HEX. CAPSCREW	.438"-14		6.000"
379423-86	STUD	.375"-16	.375"-24	6.250"
379287-39	HEX. CAPSCREW	.438"-14		6.250"
379423-90	STUD	.375"-16	.375"-24	6.500"
379287-40	HEX. CAPSCREW	.438"-14		6.500"
379286-41	HEX. CAPSCREW	.375"-16		6.750"
379423-94	STUD	.375"-16	.375"-24	6.750"
379423-96	STUD	.375"-16	.375"-24	6.875"
379286-42	HEX. CAPSCREW	.375"-16		7.000"
379423-100	STUD	.375"-16	.375"-24	7.125"
379286-43	HEX. CAPSCREW	.375"-16		7.250"
379423-108	STUD	.375"-16	.375"-24	7.625"
379286-45	HEX. CAPSCREW	.375"-16		7.750"
379286-46	HEX. CAPSCREW	.375"-16		8.000"
379286-47	HEX. CAPSCREW	.375"-16		8.250"
379286-48	HEX. CAPSCREW	.375"-16		8.500"
379423-128	STUD	.375"-16	.375"-24	8.875"
379423-135	STUD	.375"-16	.375"-24	9.375"
379423-140	STUD	.375"-16	.375"-24	9.625"
379286-54	HEX. CAPSCREW	.375"-16		10.000"
379286-55	HEX. CAPSCREW	.375"-16		10.250"
379286-57	HEX. CAPSCREW	.375"-16		10.750"

P.T.O. English Kit Parts List**Power Take-Off
Stud Kits**

English Kit Number			English Kit Number		
Part Number	Description	Qty.	Part Number	Description	Qty.
328170-1X			328170-17X		
379286-30	Hex capscrew (.375"-16 x 4.00")	1	379424-24	Stud (.438"-14 & .438"-20 x 2.375")	8
379286-42	Hex capscrew (.375"-16 x 7.00")	1	379745	Flange nut (.438"-20)	8
379423-18	Stud (.375"-16 & .375"-24 x 2.00")	2	378057	Dowel (1.250")	2
378018	Copper washer	6	328170-18X		
379744	Flange nut (.375"-24)	2	379424-36	Stud (.438"-14 & .438"-20 x 3.125")	8
379286-13	Hex capscrew (.375"-16 x 1.375")	2	378175	Dowel (2.00")	2
378774	Tab lockwasher	4	379745	Flange nut (.438"-20)	8
328170-4X			328170-21X		
379423-32	Stud (.375"-16 & .375"-24 x 2.875")	4	35-P-15-1	Gasket (.010")	2
379286-46	Capscrew (.375"-16 x 8.00")	1	35-P-15-2	Gasket (.020")	2
379286-34	Capscrew (.375"-16 x 5.00")	1	378057	Dowel pin	2
379744	Flange nut (.375"-24)	4	379287-34	Capscrew (.438"-20 x 5.00")	2
378018	Copper washer	6	379287-35	Capscrew (.438"-20 x 5.250")	4
378774	Tab lockwasher	2	379287-16	Capscrew (.438"-20 x 1.750")	2
328170-5X			500357-12	Lockwasher (.438")	8
379423-62	Stud (.375"-16 & .375" x 4.750")	4	328170-26X		
379286-42	Capscrew (.375"-16 x 7.00")	1	379286-29	Hex capscrew (.375"-16 x 3.750")	1
379744	Flange nut (.375"-24)	4	379286-41	Hex capscrew (.375"-16 x 6.750")	1
378018	Copper washer	6	379423-14	Stud (.375"-6 & .375"-24 x 1.750")	2
379286-54	Capscrew (.375"-16 x 10.00")	1	378018	Copper washer	6
378774	Tab lockwasher	2	379744	Flange nut (.375"-24)	2
328170-7X			379286-11	Hex capscrew (.375"-16 x 1.125")	2
379424-34	Stud (.438")	8	328170-28X		
379745	Flange nut (.438"-20)	8	379423-36	Stud (.375"-16 & .375"-24 x 3.125")	4
378175	Dowel pin (2.00")	2	379423-128	Stud (.375"-16 & .375"-24 x 8.875")	1
328170-8X			379286-34	Capscrew (.375"-16 x 5.00")	1
379424-21	Stud (.438"-14 & .438"-20 x 2.250")	8	379744	Flange nut (.375"-24)	5
379745	Flange nut (.438"-20)	8	378018	Copper washer	6
378054	Dowel pin (1.00")	2	328170-32X		
328170-12X			379423-50	Stud (.375"-16 & .375"-24 x 4.00")	4
379424-40	Stud (.438"-14 & .438"-20 x 3.375")	8	379423-140	Stud (.375"-16 & .375"-24 x 9.625")	1
378175	Dowel (2.00")	2	379286-38	Capscrew (.375"-16 x 6.00")	1
379745	Flange nut (.438"-20)	8	379744	Flange nut (.375"-24)	5
328170-14X			378018	Copper washer	6
379424-29	Stud (.438"-14 & .438"-20 x 2.75")	8	378774	Tab lockwasher	1
378057	Dowel (1.25")	2	328170-33X		
379745	Flange nut (.438"-20)	8	379423-28	Stud (.375"-16 & .375"-24 x 2.625")	4
328170-15X			379286-45	Capscrew (.375"-16 x 7.75")	1
379424-24	Stud (.438"-14 & .438"-20 x 2.375")	8	379286-33	Capscrew (.375"-16 x 4.75")	1
378054	Dowel (1.00")	2	379744	Flange nut (.375"-24)	4
379745	Flange nut (.438"-20)	8	378018	Copper washer	6
328170-16X			378774	Tab lockwasher	2
379424-32	Stud (.438"-14 & .438"-20 x 2.875")	8			
378174	Dowel (1.500")	2			
379745	Flange nut (.438"-20)	8			

P.T.O. English Kit Parts List**Stud Kits**

English Kit Number			English Kit Number		
Part Number	Description	Qty.	Part Number	Description	Qty.
328170-35X			328170-84X		
379423-24	Stud (.375"-16 & .375"-24 x 2.375")	4	500357-11	Lockwasher	1
379286-43	Capscrew (.375"-16 x 7.250")	1	379286-12	Hex capscrew (.375"-16 x 1.25")	3
379286-31	Capscrew (.375"-16 x 4.250")	1	379286-31	Hex capscrew (.375"-16 x 4.25")	1
379744	Flange nut (.375"-24)	4	379433-9	Allen capscrew (.375"-16 x 1.750")	1
378018	Copper washer	6	379423-12	Stud (.375"-16 & .375"-24 x 1.625")	1
378774	Tab lockwasher	2	379744	Flange nut (.375"-24)	1
328170-36X			328170-85X		
379423-72	Stud (.375"-16 & .375"-24 x 5.375")	4	379286-11	Hex capscrew (.375"-16 x 1.125")	3
379286-43	Capscrew (.375"-16 x 7.250")	1	379286-14	Hex capscrew (.375"-16 x 1.500")	1
379286-55	Capscrew (.375"-16 x 10.250")	1	379433-10	Allen capscrew (.375"-16 x 2.00")	2
379744	Flange nut (.375"-24)	4	378087	Allen lockwasher (.375")	2
378018	Copper washer	6	378130	Lockwasher (.375")	1
378774	Tab lockwasher	2	378774	Tab lockwasher	3
328170-64X			328170-86X		
379423-20	Stud (.375"-16 & .375"-24 x 2.125")	6	500357-11	Lockwasher (.375")	2
379744	Flange nut (.375"-24)	6	379433-9	Socket head capscrew (.375"-16 x 1.750")	2
328170-76X			328170-87X		
379423-15	Stud (.375"-16 & .375"-24 x 1.875")	6	379286-12	Capscrew (.375"-16 x 1.250")	3
379744	Flange nut (.375"-24)	6	379744	Flange nut (.375"-24)	1
328170-77X			328170-88X		
379423-12	Stud (.375"-16 & .375"-24 x 1.625")	3	379286-12	Hex capscrew (.375"-16 x 1.250")	1
379744	Flange nut (.375"-24)	3	379744	Flange nut (.375"-24)	2
379286-11	Hex capscrew (.375"-16 x 1.125")	3	379433-9	Allen capscrew (.375"-16 x 1.750")	2
378774	Tab lockwasher	3	378087	Lockwasher (.375")	2
328170-79X			328170-89X		
379423-14	Stud (.375"-16 & .375"-24 x 1.750")	2	379423-15	Stud (.375"-16 & .375"-24 x 1.875")	2
379457-13	Shoulder stud (.375"-16 & .375"-24 x 1.750")	2	378130	Tablock washer (.375")	1
379744	Flange nut (.375"-24)	4	379286-15	Hex capscrew (.375"-16 x 1.625")	1
379286-11	Hex bolt (.375"-16 x 1.125")	2	378774	Tab lockwasher	1
378774	Tab lockwasher	2	328170-91X		
328170-81X			328170-92X		
378087	Allen lockwasher (.375")	2	379286-21	Hex capscrew (.375"-16 x 2.375")	6
500357-11	Lockwasher (.375")	4	500357-11	Lockwasher (.375")	6
379286-11	Hex head capscrew (.375"-16 x 1.125")	4	378774	Tab lockwasher	6
379433-9	Allen capscrew (.375"-16 x 1.750")	2	328170-93X		
328170-82X			328170-94X		
379286-13	Hex bolt (.375"-16 x 1.375")	2	379286-31	Hex capscrew (.375"-16 x 4.250")	1
379744	Flange nut (.375"-24)	4	379286-43	Hex capscrew (.375"-16 x 7.250")	1
379423-15	Stud (.375"-16 x .375"-24 x 1.875")	1	379744	Flange nut (.375"-24)	4
379423-12	Stud (.375"-16 x .375"-24 x 1.625")	3	379423-15	Stud (.375" x 1.875")	4
378774	Tab lockwasher	2	328170-95X		
328170-83X			328170-96X		
379423-46	Stud (.375"-16 & .375"-24 x 3.750")	4	379423-12	Stud (.375"-16 & .375"-24 x 1.625")	6
379423-86	Stud (.375"-16 & .375"-24 x 6.25")	1	379744	Flange nut (.375"-24)	6
379423-135	Stud (.375"-16 & .375"-24 x 9.375")	1			
379744	Flange nut (.375"-24)	6			

English Kit Number			English Kit Number		
Part Number	Description	Qty.	Part Number	Description	Qty.
328170-96X			328170-116X		
379286-13	Hex head capscrew (.375"-16 x 1.375")	2	379286-47	Hex capscrew (.375"-16 x 8.250")	1
379286-30	Hex head capscrew (.375"-16 x 4.00")	1	379423-15	Stud (.375"-16 & .375"-24 x 1.875")	2
379286-42	Hex head capscrew (.375"-16 x 7.00")	1	379423-13	Stud (.375"-16 & .375"-24 x 1.750")	2
379423-15	Stud (.375"-24 x .375"-16 x 1.875")	2	379744	Flange nut (.375"-24)	4
379744	Flange nut (.375"-24)	2	328170-117X		
378018	Copper washer	6	378057	Dowel pin (.438" x 1.250")	2
378774	Tab lockwasher	4	379424-26	Stud (.438"-14 & .438"-20 x 2.500")	4
328170-97X			379287-35	Capscrew (.438"-14 x 5.250")	4
378018	Copper washer	5	500357-12	Lockwasher (.438")	4
379286-47	Hex capscrew (.375"-16 x 8.250")	1	379745	Flange nut (.438"-20)	4
379423-14	Stud (.375"-16 & .375"-24 x 1.750")	2	328170-118X		
379423-16	Stud (.375"-16 & .375"-24 x 1.870")	2	378174	Dowel pin (.438" x 1.500")	2
379744	Flange nut (.375"-24)	4	379424-29	Stud (.438"-14 & .438"-20 x 2.750")	4
378774	Tab lockwasher	1	379287-36	Capscrew (.438"-14 x 5.500")	4
328170-98X			500357-12	Lockwasher (.438")	4
379423-15	Stud (.375"-16 & .375"-24 x 1.875")	3	379745	Flange nut (.438"-20)	4
379744	Flange nut (.375"-24)	3	328170-120X		
379286-13	Hex capscrew (.375"-16 x 1.375")	3	378175	Dowel pin (.438" x 2.000")	2
378774	Tab lockwasher	3	379424-36	Stud (.438"-14 & .438"-20 x 3.125")	4
328170-99X			379287-38	Capscrew (.438" x 6.000")	4
379286-29	Hex capscrew (.375"-16 x 3.75")	1	500357-12	Lockwasher (.438")	4
379286-41	Hex capscrew (.375"-16 x 6.75")	1	379745	Flange nut (.438"-20)	4
379744	Flange nut (.375"-24)	4	328170-121X		
379423-13	Stud (.375"-16 x .375"-24 x 1.750")	4	378809	Dowel pin (.438" x 2.500")	2
328170-101X			379424-42	Stud (.438"-14 & .438"-20 x 3.500")	4
379457-13	Stud (.375"-16 & .375"-24 x 1.750")	1	379287-39	Capscrew (.438"-14 x 6.250")	4
379423-16	Stud (.375"-16 & .375"-24 x 1.875")	2	500357-12	Lockwasher (.438")	4
378935	Hex capscrew (.375"-16 x 3.250")	1	379745	Flange nut (.438"-20)	4
379744	Flange nut (.375"-24)	5	328170-122X		
379423-14	Stud (.375"-16 & .375"-24 x 1.750")	2	379424-46	Stud (.438"-14 & .438"-20 x 3.750")	8
379224	Tab lockwasher (.438")	1	379745	Flange nut (.438"-20)	8
328170-113X			328170-123X		
378054	Dowel pin (.438" x 1.00")	2	378809	Dowel pin (.438" x 2.500")	2
379424-21	Stud (.438"-14 & .438"-20 x 2.250")	4	379424-50	Stud (.438"-14 & .438"-20 x 4.00")	8
500357-12	Lockwasher	4	379745	Flange nut (.438"-20)	8
379745	Flange nut (.438"-20)	4	328170-124X		
379287-29	Capscrew (.438"-14 x 3.750")	2	379424-42	Stud (.438"-14 & .438"-20 x 3.500")	2
379287-32	Capscrew (.438"-14 x 4.500")	2	378809	Dowel (.438" x 2.500")	2
328170-115X			379745	Flange nut (.438"-20)	2
378054	Dowel pin (.438" x 1.00")	2	500357-12	Lockwasher (.438")	6
379424-19	Stud (.438"-14 & .438"-20 x 2.250")	4	379287-38	Hex head bolt (.438"-14 x 6.000")	2
379287-33	Capscrew (.438"-14 x 4.750")	4	379287-40	Hex head bolt (.438"-14 x 6.500")	4
379745	Flange nut (.438"-20)	4			
379224	Tab lockwasher (.438")	4			

P.T.O. English Kit Parts List

**Power Take-Off
Stud Kits**

English Kit Number		
Part Number	Description	Qty.
328170-125X		
378054	Dowel pin (1.000")	2
379424-21	Stud (.438"-14 & .438"-20 x 2.500")	4
379424-43	Stud (.438"-14 & .438"-20 x 3.750")	4
379745	Flange nut (.438"-20)	8
328170-126X		
378054	Dowel pin (1.000")	2
379424-21	Stud (.438"-14 & .438"-20 x 2.250")	4
379745	Flange nut (.438"-20)	4
379287-39	Capscrew (.438"-14 x 6.250")	4
500357-12	Lockwasher (7/16)	4
328170-127X		
379287-12	Capscrew (.438"-14 x 1.250")	8
379224	Tab lockwasher (.438")	8
328170-128X		
379287-10	Capscrew (.438"-14 x 1.00")	8
379224	Tab lockwasher (.438")	8
328170-129X		
379287-18	Capscrew (.438"-14 x 2.000")	8
379224	Tab lockwasher (.438")	8
328170-130X		
379424-26	Stud (.438"-14 & .438"-20 x 2.500")	6
379745	Flange nut (.438"-20)	8
378057	Dowel pin (.438" x 1.250")	2
379424-24	Stud (.438"-14 x .438"-20 x 2.125")	2
328170-131X		
379424-29	Stud (.438"-14 & .438"-20 x 2.750")	6
379745	Flange nut (.438"-20)	8
378057	Dowel pin (.438" x 1.250")	2
379424-26	Stud (.438"-14 & .438"-20 x 2.500")	2
328170-132X		
379424-32	Stud (.438"-14 & .438"-20 x 2.875")	6
379745	Flange nut (.438"-20)	8
378174	Dowel pin (.438" x 1.500")	2
379424-24	Stud (.438"-14 & .438"-20 x 2.375")	2
328170-134X		
379424-36	Stud (.438"-14 & .438"-20 x 3.125")	6
379745	Flange nut (.438"-20)	8
378175	Dowel pin (.438" x 2.000")	2
379424-34	Stud (.438"-14 & .438"-20 x 3.000")	2
328170-135X		
379424-40	Stud (.438"-14 & .438"-20 x 3.375")	6
379745	Flange nut (.438"-20)	8
379424-36	Stud (.438"-14 & .438"-20 x 3.125")	2

English Kit Number		
Part Number	Description	Qty.
328170-136X		
378424-42	Stud (.438"-14 & .438"-20 x 3.500")	6
379745	Flange nut (.438"-20)	8
378175	Dowel pin (2.000")	2
378424-40	Stud (.438"-14 & .438"-20 x 3.375")	2
328170-137X		
379424-46	Stud (.438"-14 & .438"-20 x 3.750")	6
379745	Flange nut (.438"-20)	8
378809	Dowel pin (2.500")	2
379424-42	Stud (.438"-14 & .438"-20 x 3.500")	2
328170-138X		
379424-50	Stud (.438"-14 x .438"-20 x 4.00")	6
379745	Flange nut (.438"-20)	8
378809	Dowel pin (2.500")	2
379424-43	Stud (.438"-14 x .438"-20 x 3.75")	2
328170-148X		
379286-13	Hex head capscrew (.375"-16 x 1.375")	4
379286-21	Hex head capscrew (.375"-16 x 2.375")	4
378774	Tab lockwasher	8
328170-155X		
378018	Copper washer	5
379286-42	Hex head capscrew (.375"-16 x 7.00")	1
379423-18	Stud (.375"-16 x .375"-24 x 2.00")	2
379286-14	Hex capscrew (.375"-16 x 1.500")	2
379744	Flange nut (.375"-24)	2
378774	Tab lockwasher	3
328170-157X		
378054	Dowel pin (.438" x 1.00")	2
379424-22	Stud (.438" x 2.250")	8
379745	Flange nut (.438"-20)	8
328170-158X		
378054	Dowel pin (.438" x 1.000)	2
379287-29	Hex capscrew (.438"-14 x 3.750")	2
379287-32	Hex capscrew (.438"-14 x 4.500")	2
379424-22	Stud (.438" x 2.250")	4
379224	Tab lockwasher (.438")	4
500357-12	Lockwasher (.438")	4
379745	Flange nut (.438"-20)	4
328170-159X		
378054	Dowel pin (.438" x 1.00")	2
379287-34	Hex capscrew (.438"-14 x 5.00")	4
379424-22	Stud (.438"-14 & .438"-20 x 2.250")	4
379224	Tab lockwasher (.438")	4
500357-12	Lockwasher (.438")	4
379745	Flange nut (.438"-20)	4

English Kit Number			English Kit Number		
Part Number	Description	Qty.	Part Number	Description	Qty.
328170-162X			328170-177X		
379224	Tab lockwasher (.438")	8	378774	Tab lockwasher	1
379287-16	Hex head capscrew (.438"-14 x 1.750")	8	379423-12	Stud (.375"-16 & .375"-24 x 1.625")	3
328170-163X			379423-13	Stud (.375"-16 & .375"-24 x 1.750")	2
379224	Tab lockwasher (.438")	8	379286-28	Hex head capscrew (.375"-16 x 3.500")	1
378898	Hex socket head screw (.438"-14 x 1.00")	2	379744	Flange nut (.375"-24)	5
379287-11	Hex capscrew (.438"-14 x 1.125")	8	328170-178X		
328170-164X			378130	Lockwasher	1
379224	Tab lockwasher (.438")	8	379286-12	Hex head capscrew (.375"-16 x 1.250")	1
378898	Flat head socket head screw (.438"-14 x 1.00")	1	379286-13	Hex head capscrew (.375"-16 x 1.375")	1
379287-9	Hex capscrew (.438"-14 x .875")	8	379433-10	Allen head capscrew (.375"-16 x 2.00")	2
328170-165X			379423-12	Stud (.375"-16 & .375"-24 x 1.625")	2
379423-54	Stud (.375"-16 & .375"-24 x 4.250")	6	379744	Flange nut (.375"-24)	2
500357-11	Lockwasher (.375")	6	378774	Tab lockwasher	3
500370-3	Hex nut (.375"-16)	6	328170-179X		
379744	Flange nut (.375"-24)	6	379424-21	Stud (.438"-14 & .438"-20 x 2.250")	8
328170-168X			379745	Flange nut (.438"-20)	8
379423-46	Stud (.375"-16 & .375"-24 x 3.750")	6	328170-182X		
379744	Flange nut (.375"-24)	6	379287-12	Hex capscrew (.438"-14 x 1.250")	7
328170-172X			379224	Tab lockwasher (.438")	7
378431-28	Hex capscrew (.375"-16 x 3.500")	1	328170-188X		
379423-15	Stud (.375"-16 x 1.875")	3	379424-16	Stud (.438"-14 & .438"-20 x 1.875")	4
379423-20	Stud (.137"-16 x 2.125")	2	379424-19	Stud (.438"-14 & .438"-20 x 2.125")	4
379744	Flange nut (.375"-24)	5	378054	Dowel pin	2
378774	Tab lockwasher	1	379745	Flange nut (.438"-20)	8
328170-173X			328170-190X		
378431-27	Hex capscrew (.375"-16 x 3.250")	1	379536	Stud (.438"-14 & .438"-20 x 2.000")	8
379423-14	Stud (.375"-16 & .375"-24 x 1.625")	3	379745	Flange nut (.438"-20)	8
379423-16	Stud (.375"-16 & .375"-24 x 1.875")	2	378054	Dowel pin	2
379744	Flange nut (.375"-24)	5	328170-192X		
328170-174X			379424-22	Stud (.438" x 2.250")	8
379423-20	Stud (.375"-16 & .375"-24 x 2.125")	3	379745	Flange nut (.438"-20)	8
379423-22	Stud (.375"-16 & .375"-24 x 2.250")	2	328170-195X		
378431-28	Hex capscrew (.375"-16 x 2.500")	1	379424-18	Stud (.438" x 2.00")	2
379744	Flange nut (.375"-24)	5	379424-22	Stud (.438"-2.250")	6
378774	Tab lockwasher	1	379745	Flange nut (.438"-20)	8
328170-175X			328170-196X		
378431-27	Hex capscrew (.375"-16 x 3.250")	1	379423-15	Stud (.375"-16 & .375"-24 x 1.875")	4
379423-16	Stud (.375"-16 & .375"-24 x 1.875")	3	379744	Flange nut (.375"-24)	6
379423-18	Stud (.375"-16 x .375"-24 x 2.00")	2	379561	Special shoulder stud (.375"-24 & .312"-18)	2
379744	Flange nut (.375"-24)	5	328170-200X		
378774	Tab lockwasher	1	379287-12	Capscrew (.438"-14 x 1.25")	6
			379224	Tab lockwasher (.438")	6
			379424-18	Stud (.438"-14 x .438"-20 x 2.00")	2
			379745	Flange nut (.438"-20)	2

P.T.O. English Kit Parts List**Power Take-Off****Stud Kits**

English Kit Number			English Kit Number		
Part Number	Description	Qty.	Part Number	Description	Qty.
328170-203X			328291-9X		
378018	Copper washer	6	379744	Flange nut (.375"-24)	2
379457-13	Stud (.375"-16 x .375"-24 x 1.750")	1	379286-33	Hex capscrew (.375"-16 x 4.750")	4
379423-16	Stud (.375"-16 & .375"-24 x 1.875")	2	379423-72	Stud (.375"-16 & .375"-24 x 5.375")	2
378935	Hex capscrew (.375"-16 x 3.250")	1	378774	Tab lockwasher	4
379744	Flange nut (.375"-24)	5	328291-10X		
379423-14	Stud (.375"-16 & .375"-24 x 1.750")	2	379744	Flange nut (.375"-24)	2
379224	Tab lockwasher (.438")	1	379286-33	Hex capscrew (.375"-16 x 4.750")	4
328170-204X			379423-74	Stud (.375"-16 & .375"-24 x 5.500")	2
379287-16	Capscrew (.438"-14 x 1.750")	8	378774	Tab lockwasher	4
379224	Tab lockwasher (.438")	8	328291-17X		
328170-205X			379744	Flange nut (.375"-24)	2
379744	Flange nut (.375"-24)	5	379423-60	Stud (.375"-16 & .375"-24 x 4.625")	2
379437-14	Met Soc HD capscrew	5	379286-30	Hex capscrew (.375"-16 x 4.000")	4
379750	Hex capscrew	1	378774	Tab lockwasher	4
328256X			328794-5X		
378774	Tab lockwasher	6	21-P-352	Adapter cover	1
500503-8	Allen capscrew (.375"-16 x 1.500")	6	37-P-46	Spring	1
328291-2X			57-P-17	Clutch (curvic)	1
378774	Tab lockwasher	4	379433-14	Hex socket screw (.375"-16 x 3.000")	2
379744	Flange nut (.375"-24)	2	379164	Cone lock sleeve	2
379286-22	Hex capscrew (.375"-16 x 2.375")	4	328794-6X		
379423-36	Stud (.375"-16 x .375"-24 x 3.125")	2	37-P-45	Spring	1
328291-3X			57-P-17	Clutch	1
379286-23	Hex capscrew (.375"-16 x 2.625")	4	379433-13	Socket head capscrew (.375"-16 x 2.750")	2
379744	Flange nut (.375"-24)	2	379164	Cone lock sleeve	2
379423-40	Stud (.375"-16 & .375"-24 x 3.375")	2	328794-7X		
378774	Tab lockwasher	4	379423-100	Stud (.375"-16 & .375"-24 x 7.125")	2
328291-4X			379744	Flange nut (.375"-24)	2
379744	Flange nut (.375"-24)	2	328794-13X		
379286-26	Hex capscrew (.375"-16 x 3.000")	4	37-P-58	Spring	1
379423-44	Stud (.375"-16 & .375"-24 x 3.625")	2	57-P-17	Clutch	1
378774	Tab lockwasher	4	379286-24	Hex head capscrew (.375"-16 x 2.750")	2
328291-6X			379423-16	Stud (.375"-16 & .375"-24 x 1.875")	2
379744	Flange nut (.375"-24)	2	500357-11	Lockwasher	2
379286-29	Hex capscrew (.375"-16 x 3.750")	4	500365-26	Flat washer	2
379423-52	Stud (.375"-16 & .375"-24 x 4.125")	2	379744	Flange nut (.375"-24)	2
378774	Tab lockwasher	4	328794-19X		
328291-8X			31-P-76	Thrust washer	1
379744	Flange nut (.375"-24)	2	37-P-53	Spring	1
379286-31	Hex capscrew (.375"-16 x 4.250")	4	57-P-22	Clutch	1
379423-68	Stud (.375"-16 & .375"-24 x 5.125")	2	379286-26	Hex capscrew (.375"-16 x 3.000")	1
378774	Tab lockwasher	4	379423-14	Stud (.375"-16 & .375"-24 x 1.750")	1
			500357-11	Lockwasher (.375")	1
			500365-26	Washer (.375")	1
			379744	Flange nut (.375"-24)	1
			560964	Roller bearing	1

P.T.O. English Kit Parts List**Power Take-Off
Stud Kits**

English Kit Number			English Kit Number		
Part Number	Description	Qty.	Part Number	Description	Qty.
328794-20X			7170-5X		
31-P-76	Thrust washer	1	379423-22	Stud (.375"-16 & .375"-24 x 2.250")	6
37-P-54	Spring	1	379744	Flange nut (.375"-24)	6
57-P-23	Clutch	1	7170-6X		
379286-26	Hex capscrew (.375"-16 x 3.000")	2	379423-24	Stud (.375"-16 & .375"-24 x 2.375")	6
500365-26	Washer (.375")	2	379744	Flange nut (.375"-24)	6
560964	Roller bearing	1	7170-7X		
379197	Oil strainer	1	379423-26	Stud (.375"-16 & .375"-24 x 2.500")	6
379180	90° elbow (oil strainer)	1	379744	Flange nut (.375"-24)	6
328794-21X			7170-8X		
379423-108	Stud (.375"-16 & .375"-24 x 7.625")	2	379423-28	Stud (.375"-16 & .375"-24 x 2.625")	6
379744	Flange nut (.375"-24)	2	379744	Flange nut (.375"-24)	6
328794-23X			7170-9X		
37-P-46	Spring	1	379423-30	Stud (.375"-16 & .375"-24 x 2.750")	6
57-P-17	Clutch	1	379744	Flange nut (.375"-24)	6
379433-14	Socket head capscrew (.375"-16 x 3.000")	2	7170-10X		
328794-27X			379423-32	Stud (.375"-16 & .375"-24 x 2.875")	6
379433-12	Socket head capscrew (.375"-16 x 2.500")	2	379744	Flange nut (.375"-24)	6
379433-18	Socket head capscrew (.375"-16 x 4.500")	1	7170-11X		
379273	90° elbow	1	379423-34	Stud (.375"-16 & .375"-24 x 3.000")	6
379304	Oil strainer	1	379744	Flange nut (.375"-24)	6
328794-41X			7170-12X		
21-P-473	Bearing cap	1	379423-36	Stud (.375"-16 & .375"-24 x 3.125")	6
37-P-44	Spring	1	379744	Flange nut (.375"-24)	6
379286-28	Hex capscrew (.375"-16 x 3.500")	2	7170-13X		
379293-54	Stud (.375"-16 & .375"-24 x 4.000")	2	379423-38	Stud (.375"-16 & .375"-24 x 3.250")	6
379315	Gasket eliminator	1	379744	Flange nut (.375"-24)	6
500357-11	Lockwasher	2	7170-14X		
379744	Flange nut (.375"-24)	2	379423-40	Stud (.375"-16 & .375"-24 x 3.375")	6
328794-44X			379744	Flange nut (.375"-24)	6
379423-96	Stud (.375"-16 x .375"-24 x 6.875")	2	7170-15X		
379744	Flange nut (.375"-24)	2	379423-42	Stud (.375"-16 & .375"-24 x 3.500")	6
7170-1X			379744	Flange nut (.375"-24)	6
379423-14	Stud (.375"-16 & .375"-24 x 1.750")	6	7170-16X		
379744	Flange nut (.375"-24)	6	379423-44	Stud (.375"-16 & .375"-24 x 3.625")	6
7170-2X			379744	Flange nut (.375"-24)	6
379423-16	Stud (.375"-16 & .375"-24 x 1.875")	6	7170-18X		
379744	Flange nut (.375"-24)	6	379423-48	Stud (.375"-16 & .375"-24 x 3.875")	6
7170-3X			379744	Flange nut (.375"-24)	6
379423-18	Stud (.375"-16 & .375"-24 x 2.000")	6	7170-19X		
379744	Flange nut (.375"-24)	6	379423-50	Stud (.375"-16 & .375"-24 x 4.000")	6
7170-4X			379744	Flange nut (.375"-24)	6
379423-20	Stud (.375"-16 & .375"-24 x 2.125")	6			
379744	Flange nut (.375"-24)	6			

P.T.O. English Kit Parts List

**Power Take-Off
Stud Kits**

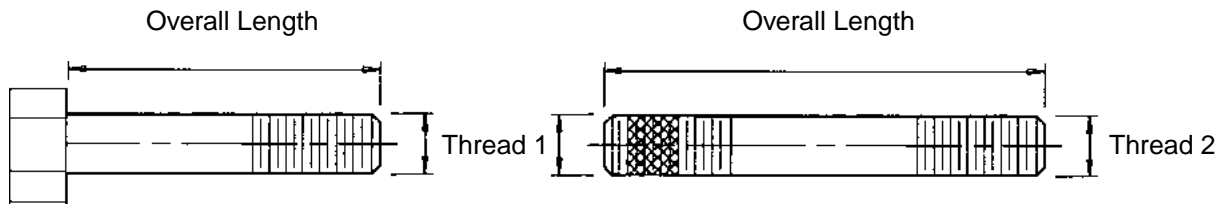
English Kit Number		
Part Number	Description	Qty.
7170-20X		
379423-52	Stud (.375"-16 & .375"-24 x 4.125")	6
379744	Flange nut (.375"-24)	6
7170-21X		
379423-54	Stud (.375"-16 & .375"-24 x 4.250")	6
379744	Flange nut (.375"-24)	6
7170-22X		
379423-56	Stud (.375"-16 & .375"-24 x 4.375")	6
379744	Flange nut (.375"-24)	6
7170-23X		
379423-58	Stud (.375"-16 & .375"-24 x 4.500")	6
379744	Flange nut (.375"-24)	6
7170-24X		
379423-60	Stud (.375"-16 & .375"-24 x 4.625")	6
379744	Flange nut (.375"-24)	6
7170-25X		
379423-62	Stud (.375"-16 & .375"-24 x 4.750")	6
379744	Flange nut (.375"-24)	6
7170-26X		
379423-64	Stud (.375"-16 & .375"-24 x 4.875")	6
379744	Flange nut (.375"-24)	6
7170-27X		
379423-66	Stud (.375"-16 & .375"-24 x 5.000")	6
379744	Flange nut (.375"-24)	6
7170-28X		
379423-68	Stud (.375"-16 & .375"-24 x 5.125")	6
379744	Flange nut (.375"-24)	6
7170-29X		
379423-70	Stud (.375"-16 & .375"-24 x 5.250")	6
379744	Flange nut (.375"-24)	6
7170-30X		
379423-72	Stud (.375"-16 & .375"-24 x 5.375")	6
379744	Flange nut (.375"-24)	6
7170-31X		
379423-74	Stud (.375"-16 & .375"-24 x 5.500")	6
379744	Flange nut (.375"-24)	6
7170-32X		
379423-76	Stud (.375"-16 & .375"-24 x 5.750")	6
379744	Flange nut (.375"-24)	6
7170-33X		
379423-14	Stud (.375"-16 & .375"-24 x 1.750")	12
379744	Flange nut (.375"-24)	12

English Kit Number		
Part Number	Description	Qty.
7170-34X		
379423-14	Stud (.375"-16 & .375"-24 x 1.750")	6
379423-16	Stud (.375"-16 & .375"-24 x 1.875")	6
379744	Flange nut (.375"-24)	12
7170-35X		
379423-14	Stud (.375"-16 & .375"-24 x 1.750")	6
379423-18	Stud (.375"-16 & .375"-24 x 2.000")	6
379744	Flange nut (.375"-24)	12
7170-36X		
379423-14	Stud (.375"-16 & .375"-24 x 1.750")	6
379423-20	Stud (.375"-16 & .375"-24 x 2.125")	6
379744	Flange nut (.375"-24)	12
7170-37X		
379423-16	Stud (.375"-16 & .375"-24 x 1.875")	12
379744	Flange nut (.375"-24)	12
7170-39X		
379423-16	Stud (.375"-16 & .375"-24 x 1.875")	6
379423-20	Stud (.375"-16 & .375"-24 x 2.125")	6
379744	Flange nut (.375"-24)	12
7170-40X		
379423-18	Stud (.375"-16 & .375"-24 x 2.000")	12
379744	Flange nut (.375"-24)	12
7170-42X		
379423-18	Stud (.375"-16 & .375"-24 x 2.000")	2
379423-22	Stud (.375"-16 & .375"-24 x 2.250")	4
379744	Flange nut (.375"-24)	6
7170-43X		
379423-14	Stud (.375"-16 & .375"-24 x 1.750")	2
379423-18	Stud (.375"-16 & .375"-24 x 2.000")	4
379744	Flange nut (.375"-24)	6
7170-44X		
379423-14	Stud (.375"-16 & .375"-24 x 1.750")	10
379423-24	Stud (.375"-16 & .375"-24 x 2.375")	2
379744	Flange nut (.375"-24)	12
7170-45X		
379423-14	Stud (.375"-16 & .375"-24 x 1.750")	4
379423-24	Stud (.375"-16 & .375"-24 x 2.375")	2
379744	Flange nut (.375"-24)	6
7170-46X		
379423-90	Stud (.375"-16 & .375"-24 x 6.500")	6
379744	Flange nut (.375"-24)	6
7170-48X		
379423-94	Stud (.375"-16 & .375"-24 x 6.750")	6
379744	Flange nut (.375"-24)	6

English Kit Number			English Kit Number		
Part Number	Description	Qty.	Part Number	Description	Qty.
7170-49X			8000-4X		
379423-86	Stud (.375"-16 & .375"-24 x 6.250")	6	379286-21	Hex capscrew (.375"-16 x 2.375")	6
379744	Flange nut (.375"-24)	6	378774	Tab lockwasher	6
7170-50X			(4)8000-12X		
379423-82	Stud (.375"-16 & .375"-24 x 6.000")	6	379286-20	Hex capscrew (.375"-16 x 2.250")	6
379744	Flange nut (.375"-24)	6	378774	Tab lockwasher	6
7170-74X			8000-13X		
378431-27	Hex capscrew (.375"-16 x 3.250")	1	379286-22	Hex capscrew (.375"-16 x 2.500")	6
379433-6	Socket head capscrew (.375"-16 x 1.000")	3	378774	Tab lockwasher	6
378431-11	Hex capscrew (.375"-16 x 1.125")	2			
379286-15	Hex capscrew (.375"-16 x 1.625")	2			
378774	Tab lockwasher	5			
(1)7170-89X					
379293-14	Stud (.375"-16 x .375"-24 x 1.625")	6			
379744	Flange nut (.375"-24)	6			
(2)7170-90X					
379293-10	Stud (.375"-16 x .375"-24 x 1.500")	6			
379744	Flange nut (.375"-24)	6			
(3)7170-96X					
379293-8	Stud (.375"-16 & .375"-24 x 1.438")	6			
379744	Flange nut (.375"-24)	6			

- (1) The 379293-14 stud must be used with the 352 Series PTO on the following transmissions. CH-465 (code MM4 1968 & later), GM-20, M-20 and SM-465 (GMC) (code MM4 1968 & later). Any stud used with a longer threaded end into the transmission will hit the head set gear on the countershaft of the transmission.
- (2) The 379293-10 stud must be used with the 442 Series PTO on the following transmissions. CH-465 (code MM4 1968 & later), GM-20, M-20 and SM-465 (GMC) (code MM4 1968 & later). Any stud used with a longer threaded end into the transmission will hit the head set gear on the countershaft of the transmission.
- (3) This stud kit is required for P.T.O.'s mounted on SPICER ESO-65-7A transmissions. The capscrew and stud length in the standard stud kit is too long and interferes with the adjacent gear outside diameter in the transmission case.
- (4) The 379286-20 capscrew must be used with the 100 Series PTO on the following transmissions. CH-465 (code MM4 1968 & later), GM-20, M-20 and SM-465 (GMC) (code MM4 1968 & later). Any stud used with a longer threaded end into the transmission will hit the head set gear on the countershaft of the transmission.

2 X Thread Engagement Cross Reference by Length



Part Number	Description	Thread 1	Thread 2	Overall Length	Length (MM)
379363-6	SOC. CAPSCREW	M10-1.25"		0.984"	25
379811	SOC. CAPSCREW	M10-1.5"		0.984"	25
379683	BUTTON CAPSCREW	M10-1.5"		0.984"	25
379148-6	SOC. CAPSCREW	M10-1.5"		0.984"	25
379562	LOWHEAD CAPSCREW	M12-1.25"		1.024"	26
378924-7	HEX CAPSCREW	M10-1.5"		1.102"	28
379706	HEX CAPSCREW	M10-1.5"		1.180"	30
379363-7	SOC. CAPSCREW	M10-1.25"		1.181"	30
379580-8	HEX CAPSCREW	M12-1.75"		1.181"	30
379363-8	SOC. CAPSCREW	M10-1.25"		1.378"	35
378924-10	CAPSCREW	M10-1.5"		1.378"	35
379148-8	CAPSCREW	M10-1.5"		1.378"	35
379453-10	FERRY HEAD CAPSCREW	M10-1.5"		1.378"	35
379419-8	SOC. CAPSCREW	M12-1.25"		1.378"	35
379580-10	HEX CAPSCREW	M12-1.75"		1.378"	35
378924-12	HEX CAPSCREW	M10-1.5"		1.575"	40
379563	LOWHEAD CAPSCREW	M12-1.25"		1.575"	40
379411-7	STUD	M10-1.5"	M10-1.5"	1.693"	43
379437-14	STUD	M10-1.25"	.375"-24	1.750"	44
379428-14	STUD	M10-1.5"	.375"-24	1.750"	44
379148-10	SOC. CAPSCREW	M10-1.5"		1.772"	45
379428-16	STUD	M10-1.5"	.375"-24	1.875"	48
379429-16	STUD	M12-1.75"	.438"-20	1.875"	48
379411-9	STUD	M10-1.5"	M10-1.5"	1.890"	48
379148-11	SOC. CAPSCREW	M10-1.5"		1.968"	50
379428-18	STUD	M10-1.5"	.375"-24	2.000"	51
379429-18	STUD	M12-1.75"	.438"-20	2.000"	51
379427-18	STUD	M8-1.25"	.312"-24	2.000"	51
379428-20	STUD	M10-1.5"	.375"-24	2.125"	54
379428-22	STUD	M10-1.5"	.375"-24	2.250"	57

2 X Thread Engagement Cross Reference by Length

Part Number	Description	Thread 1	Thread 2	Overall Length	Length (MM)
379429-22	STUD	M12-1.75"	.438"-20	2.250"	57
379148-13	SOC. CAPSCREW	M10-1.5"		2.362"	60
379428-28	STUD	M10-1.5"	.375"-24	2.625"	67
379437-30	STUD	M10-1.25"	.375"-24	2.750"	70
379429-30	STUD	M12-1.75"	.438"-20	2.750"	70
379740-14	CAPSCREW	M10-1.5"		2.756"	70
379428-32	STUD	M10-1.5"	.375"-24	2.875"	73
379411-20	STUD	M10-1.5"	M10-1.5"	2.953"	75
379428-34	STUD	M10-1.5"	.375"-24	3.000"	76
379428-36	STUD	M10-1.5"	.375"-24	3.125"	79
379429-36	STUD	M12-1.75"	.438"-20	3.125"	79
379750	HEX CAPSCREW	M10-1.25"		3.250"	83
379445-1	HEX CAPSCREW	M10-1.5"		3.250"	83
379428-40	STUD	M10-1.5"	.375"-24	3.375"	86
379411-26	STUD	M10-1.5"	M10-1.5"	3.543"	90
379428-44	STUD	M10-1.5"	.375"-24	3.625"	92
379411-27	STUD	M10-1.5"	M10-1.5"	3.661"	93
379411-28	STUD	M10-1.5"	M10-1.5"	3.740"	95
379437-46	STUD	M10-1.25"	.375"-24	3.750"	95
378924-36	HEX CAPSCREW	M10-1.5"		3.937"	100
379411-30	STUD	M10-1.5"	M10-1.5"	3.937"	100
379428-54	STUD	M10-1.5"	.375"-24	4.250"	108
379419-18	SOC. CAPSCREW	M12-1.25"		4.331"	110
379428-60	STUD	M10-1.5"	.375"-24	4.625"	117
379740-19	CAPSCREW	M10-1.5"		4.724"	120
379429-74	STUD	M12-1.75"	.438"-20	5.500"	140
378924-52	CAPSCREW	M10-1.5"		5.519"	140
379428-78	STUD	M10-1.5"	.375"-24	5.750"	146
378924-64	CAPSCREW	M10-1.5"		6.693"	170
378924-67	HEX CAPSCREW	M10-1.5"		7.000"	178
379428-102	STUD	M10-1.5"	.375"-24	7.250"	184
379428-108	STUD	M10-1.5"	.375"-24	7.625"	194
379428-134	STUD	M10-1.5"	.375"-24	9.250"	235
379908	STUD	M10-1.25"	.375"-24	1.75"	44.45

P.T.O. Metric Kit Parts List**Stud Kits**

Metric Kit Number	Part Number	Description	Qty.
328170-141X			
	379437-14	Stud (M10-1.25" & .375"-24 x 1.750")	6
	379744	Flange nut (.375"-24)	6
328170-167X			
	379428-18	Stud (M10-1.5" & .375"-24 x 2.000")	8
	379744	Flange nut (.375"-24)	8
328170-169X			
	379428-18	Stud (M10-1.5" & .375"-24 x 2.00")	4
	379744	Flange nut (.375"-24)	4
	378924-36	Hex capscrew (M10-1.5" x 3.937")	1
	378924-67	Hex capscrew (M10-1.5" x 7.000")	1
	378774	Tab lockwasher	2
328170-170X			
	378924-10	Hex capscrew (M10-1.5" x 1.378")	2
	379148-11	Socket head capscrew (M10-1.5" x 1.968")	6
328170-176X			
	379363-8	Socket head capscrew (M10-1.25"x35MM)	2
	379363-7	Socket head capscrew (M10-1.25"x30MM)	4
	379420	Rubber plug	2
	379421	Installation drawing	1
328170-181X			
	379411-20	Stud (M10-1.5" & M10-1.5" x 75MM)	4
	378924-10	Capscrew (M10-1.5" x 35MM)	4
	379140-6	Lockwasher	4
	479141-9	Hex nut (M10-1.5")	4
328170-185X			
	379429-22	Stud (.438"-20 & M12-.175" x 2.250")	8
	378054	Dowel pin (.438" x 1.00")	2
	379745	Flange nut (.438"-20)	8
328170-186X			
	379428-12	Stud (M10-1.5" & .375"-24 x 1.625")	6
	379744	Flange nut (.375"-24)	6
328170-187X			
	379419-8	Socket head capscrew (M12-1.25" x 1.378")	2
	379419-18	Socket head capscrew (M12-1.25" x 4.331")	2
328170-191X			
	379562	Low head capscrew (M12-1.25" x 1.024")	2
	379563	Low head capscrew (M12-1.25" x 1.575")	4
328170-197X			
	379428-14	Stud (M10-1.5" & .375"-24 x 1.750")	8
	379744	Flange nut (.375"-24)	8

Metric Kit Number	Part Number	Description	Qty.
328170-198X			
	379607	Guide pin	2
	379606	Sealing washer	1
	379453-10	Ferry head capscrew (M10-1.5" x 35MM)	5
328170-199X			
	379148-10	Socket head capscrew (M10 x 45MM)	6
328170-201X			
	379429-18	Stud (M12 x 1.175" x .438"-20 x 2.00")	8
	379745	Flange nut (.438"-20)	8
328170-202X			
	378924-12	Hex capscrew (M10-1.5" x 1.693")	2
	379148-13	Socket head capscrew (M10-1.5" x 2.362")	6
7170-60X			
	379428-14	Stud (M10-1.5 & .375"-24 x 1.750")	4
	379744	Flange nut (.375"-24)	6
	379428-18	Stud (M10-1.5" & .375"-24 x 2.000")	2
7170-61X			
	379428-28	Stud (M10-1.5" & .375"-24 x 2.625")	6
	379744	Flange nut (.375"-24)	6
7170-62X			
	379428-40	Stud (M10-1.5" & .375"-24 x 3.375")	6
	379744	Flange nut (.375"-24)	6
7170-64X			
	379428-32	Stud (M10-1.5" & .375"-24 x 2.875")	6
	379744	Flange nut (.375"-24)	6
7170-65X			
	379428-20	Stud (M10-1.5 & .375-24 x 2.125)	4
	379428-60	Stud (M10-1.5" & .375"-24 x 4.625")	1
	379428-108	Stud (M10-1.5" & .375"-24 x 7.625")	1
	379744	Flange nut (.375"-24)	6
7170-68X			
	379429-16	Stud (M12-1.75" & .438"-20 x 1.875")	8
	379745	Flange nut (.438"-20)	8
7170-72X			
	379428-14	Stud (M10-1.5" & .375"-24 x 1.75")	6
	379744	Flange nut (.375"-24)	6
7170-76X			
	379428-22	Stud (M10-1.5" & .375"-24 x 2.250")	4
	379744	Flange nut (.375"-24)	6
	379428-28	Stud (M10-1.5" & .375"-24 x 2.625")	2

P.T.O. Metric Kit Parts List**Power Take-Off
Stud Kits**

Metric Kit Number			Metric Kit Number		
Part Number	Description	Qty.	Part Number	Description	Qty.
7170-77X			7170-102X		
379428-40	Stud (M10-1.5" & .375"-24 x 3.375")	4	378924-48	Capscrew (M10 x 130MM)	1
379744	Flange nut (.375"-24)	6	379428-14	Stud (M10-1.5" & .375"-24 x 1.75")	5
379428-44	Stud (M10-1.5" x .375"-24 x 3.625")	2	379744	Flange Nut (.375"-24)	5
7170-78X			7170-103X		
379428-16	Stud (M10-1.5" & .375"-24 x 1.875")	6	379428-14	Stud (M10-1.5" & .375" X 1.75")	3
379744	Flange nut (.375"-24)	6	379428-16	Stud (M10-1.5" & .375"-24 X 1.875")	2
7170-79X			7170-104X		
379428-18	Mounting stud (M10-1.5" & .375"-24 x 2.00")	6	379445-1	Capscrew (M10-1.5" X 3.250")	1
379744	Flange nut (.375"-24)	6	379744	Flange nut (.375"-24)	5
7170-82X			7170-105X		
379428-34	Stud (M10-1.5" & .375"-24 x 3.000")	6	379429-26	Stud (M12-1.75" & .437"-20 x 2.5")	2
379744	Flange nut (.375"-24)	6	379429-30	Stud (M12-1.75" & .438"-20 x 2.75")	6
7170-86X			7170-107X		
379451	Guide screw	2	379451	Guide screw	2
379453-10	Ferry capscrew (M10-1.5" x 35MM)	8	379453-10	Ferry head capscrew (M10-1.5 x 35MM)	7
379486	"90° O-ring elbow, straight thread"	1	379453-8	Ferry head capscrew (M10-1.5 x 30MM)	1
7170-87X			8000-14X		
379744	Flange nut (.375"-24)	5	379580-8	Hex capscrew (M12-1.75" x 30MM)	8
379444	Special shoulder stud	1	379140-7	Tab washer (M12)	8
379445	Special shoulder capscrew	1	8000-15X		
379428-12	Stud (M10-1.5" & .375"-24 x 1.625")	2	379580-10	Hex capscrew (M12-1.75" x 35MM)	8
379428-14	Stud (M10-1.5" & .375"-24 x 1.750")	2	379140-7	Tab washer (M12)	8
378774	Tab lockwasher	1	8000-16X		
7170-91X			8000-17X		
379428-26	Stud (M10-1.5" & .375"-24 x 2.500")	4	28-P-200	O-Ring Viton (-013)	1
379428-22	Stud (M10-1.5" & .375"-24 x 2.250")	4	378924-52	Capscrew	1
379744	Flange nut (.375"-24)	8	379697	Split Hollow Dowel	2
7170-93X			8000-17X		
379428-20	Stud (M10-1.5" & .375"-24 x 2.125")	4	379706	Hex HD Screw (M10 X 1.5" X 1.18")	5
379428-24	Stud (M10-1.5" & .375"-24 x 2.375")	4	8000-17X		
379744	Flange nut (.375"-24)	8	28-P-200	O-Ring Viton (-013)	1
7170-94X			8000-17X		
379428-18	Stud (M10-1.5" & .375"-24 x 2.000")	4	378924-64	Capscrew	1
379428-20	Stud (M10-1.5" & .375"-24 x 2.125")	4	379697	Split Hollow Dowel	2
379744	Flange nut (.375"-24)	8	379706	Hex HD Screw (M10 X 1.5" X 1.18")	5
7170-98X			8000-17X		
379148-8	Capscrew(M10 X 35MM)	6	8000-17X		
378926	Lock Washer	6	8000-17X		
7170-100X			8000-17X		
28-P-200	O-Ring Viton (-013)	1	8000-17X		
379577-64	Capscrew (M10-1.25" x 170MM)	1	8000-17X		
379744	Flange Nut (.375"-24)	5	8000-17X		
379908	Stud (M10-1.25" & .375"-24 x 1.75")	5	8000-17X		

Part Number	Used In		Part Number	Used In	
* 378285-1	328170-187X		* 379428-14	328170-197X	7170-60X
* 378924-07				7170-72X	7170-102X
* 378924-10	328170-170X	328170-181X		7170-103X	
* 378924-12	328170-202X		* 379428-16	7170-78X	7170-92X
* 378924-36	328170-169X			7170-95X	7170-103X
* 378924-67	328170-169X		* 379428-18	328170-167X	328170-169X
* 379148-10	328170-199X	328170-183X		7170-60X	
* 379148-11	328170-170X	329181-2X	* 379428-20	328170-167X	328170-169X
	328170-107X			7170-60X	
* 379148-13	328170-202X		* 379428-22	7170-76X	7170-91X
* 379148-6	328170-194X	328888X		7170-81X	7170-104X
* 379363-06			* 379428-28	7170-61X	7170-76X
* 379363-07	328170-176X		* 379428-32	7170-64X	
* 379363-08	328170-176X		* 379428-34	7170-82X	
* 379411-07			* 379428-36	7170-83X	
* 379411-09			* 379428-40	7170-62X	7170-77X
* 379411-20	328170-181X		* 379428-44	7170-77X	
* 379411-26	7170-54X		* 379428-54	7170-71X	
* 379411-27	7170-55X		* 379428-60	7170-65X	7170-66X
* 379411-28	7170-56X		* 379428-78	7170-67X	
* 379411-30	7170-57X		* 379429-16	7170-68X	
* 379419-08	328170-187X		* 379429-18	328170-201X	328794-31X
* 379419-18	328170-187X		* 379429-22	328170-185X	7170-69X
* 379427-18			* 379429-26	7170-105X	
* 379428-102	7170-71X		* 379429-30	7170-73X	7170-105X
* 379428-108	7170-65X		* 379429-36	7170-70X	
* 379428-134	328170-112X		* 379429-74	7170-69X	
			* 379437-14	328170-141X	328170-205X
				7170-100X	
			* 379437-30	7170-84X	

* Metric

Part Number	Used In		Part Number	Used In	
* 379437-46	7170-85X		379286-15	328170-88X	7170-74X
* 379445-1	7170-104X		379286-21	328170-148X 8000-11X	328170-91X 8000-4X
* 379453-10	328170-170X 7170-86X	328170-181X	379286-22	328291-2X	8000-13X
* 379562	328170-191X		379286-23	328291-3X	
* 379563	328170-191X		379286-24	328794-13X	328794-13X
* 379580-10	8000-15X		379286-25		
* 379580-8	8000-14X		379286-28	328170-177X	328794-41X
* 379683	329181-2X		379286-29	328170-26X	328170-99X 328291-6X
* 378924-52	7170-102X	8000-16X	379286-30	328170-1X 328291-17X 329104X	328170-96X 328794-45X
* 378924-64	7171-101X	8000-17X	379286-31	328170-35X 328170-93X	328170-84X 328291-8X
* 379148-8	7170-98X		379286-33	328170-33X 328291-9X	328291-10X
* 379706	8000-16X	8000-17X	379286-34	328170-28X	328170-4X
* 379740-14	328794-50X		379286-36	328170-3X	
* 379740-19	328794-50X		379286-38	328170-32X	
* 379750	328170-205X		379286-41	328170-26X	328170-99X
* 379908	7170-100X		379286-42	328170-1X 328170-5X	328170-155X 328170-96X
378431-11	7170-104X		379286-43	328170-35X 328170-93X	328170-36X
378431-27	328170-173X	7170-74X	379286-45	328170-33X	
378935	328170-101X	328170-203X	379286-46	328170-4X	
379286-11	328170-26X 328170-79X	328170-77X 328170-85X	379286-47	328170-116X	328170-97X
379286-11	328170-81X		379286-48	328170-3X	
379286-12	328170-178X 328170-86X	328170-84X 328170-88X	379286-54	328170-5X	
379286-13	328170-1X 328170-148X 328170-82X 328170-98X	328170-6X 328170-178X 328170-96X	379286-55	328170-36X	
379286-14	328170-155X	328170-85X			

* Metric

Part Number	Used In		Part Number	Used In	
379286-57			379423-135	328170-83X	
379287-10	328170-128X 328170-161X	328170-103X	379423-14	328170-101X 328170-203X 328170-79X 7170-12X 7170-33X 7170-35X 7170-44X	328170-173X 328170-26X 328170-97X 7170-1X 7170-34X 7170-43X 7170-45X
379287-11	328170-160X	328170-163X	379423-140	328170-32X	
379287-12	328170-127X 328170-200X	328170-182X	379423-15	328170-196X 328170-93X 328170-76X 328170-98X 328170-82X 328170-172X	328170-88X 328170-116X 328170-94X 328170-86X 328170-96X
379287-16	328170-21X	328170-204X	379423-16	328170-101X 328170-175X 328170-203X 328794-13X 7170-2X 7170-37X	328170-173X 328170-70X 328170-97X 328170-12X 7170-34X 7170-39X
379287-17			379423-18	328170-1X 328170-175X 7170-35X 7170-42X	328170-155X 7170-3X 7170-40X 7170-43X
379287-29	328170-113X	328170-158X	379423-20	328170-172X 328170-64X 7170-36X 7170-4X	328170-174X 328170-68X 7170-39X
379287-31			379423-22	328170-174X 7170-5X	7170-42X
379287-32	328170-113X	328170-158X	379423-24	328170-35X 7170-45X 329104X	7170-44X 7170-6X
379287-34	328170-159X 328170-184X	328170-21X	379423-26	7170-7X	329104X
379287-35	328170-117X	328170-21X	379423-28	328170-33X	7170-8X
379287-36	328170-118X		379423-30	7170-9X	
379287-37	328170-119X		379423-32	328170-4X	7170-10X
379287-38	328170-120X	328170-124X	379423-34	7170-11X	
379287-39	328170-121X	328170-126X	379423-36	328170-28X 7170-12X	328291-2X
379287-40	328170-124X				
379287-9	328170-164X				
379293-54	328794-41X 328794-43X	328794-42X 328794-26X			
379293-59	328794-45X				
379423-100	328794-7X				
379423-108	328794-21X				
379423-12	328170-177X 328170-95X	328170-178X 328170-6X			
379423-128	328170-28X				
379423-13	328170-177X 328170-116X	328170-99X 328170-94X			

Part Number	Used In		Part Number	Used In	
379423-38	7170-13X		379424-22	328170-157X	328170-158X
379423-40	328291-3X	7170-14X		328170-159X	328170-195X
	328170-3X			328170-192X	
379423-42	7170-15X		379424-24	328170-130X	328170-132X
379423-44	328291-4X	7170-16X		328170-15X	328170-17X
379423-46	328170-168X	328170-83X	379424-26	328170-117X	328170-130X
379423-48	7170-18X			328170-131X	
379423-50	328170-32X	7170-19X	379424-29	328170-118X	328170-131X
379423-52	328291-6X	7170-20X		328170-14X	328170-133X
379423-54	328170-165X	7170-21X	379424-32	328170-132X	328170-16X
379423-56	7170-22X		379424-34	328170-119X	328170-7X
379423-58	7170-23X			328170-134X	328170-133X
379423-60	328291-17X	7170-24X	379424-36	328170-120X	328170-134X
379423-62	328170-5X	7170-25X		328170-135X	328170-18X
379423-64	7170-26X		379424-40	328170-12X	328170-135X
379423-66	7170-27X			328170-136X	
379423-68	328291-8X	7170-28X	379424-42	328170-121X	328170-124X
379423-70	7170-29X			328170-136X	328170-137X
379423-72	328170-36X	328291-9X		328170-13X	
	7170-30X		379424-43	328170-125X	328170-138X
379423-74	328291-10X	7170-31X	379424-46	328170-122X	328170-137X
379423-76	7170-32X		379424-50	328170-123X	328170-138X
379423-82	7170-50X		379427-18		
379423-86	328170-83X	7170-49X	379428-102	7170-71X	
379423-90	7170-46X		379428-108	7170-65X	
379423-94	7170-48X		379428-134	328170-112	
379423-96	328794-44X		379428-14	328170-197X	7170-60X
379424-21	328170-113X	328170-8X		7170-72X	7170-71X
	328170-125X	328170-126X		7170-87X	7170-92X
	328170-179X	328170-184X	379428-16	7170-78X	7170-92X
				7170-95X	
			379428-18	328170-167X	328170-169X
				7170-60X	7170-94X
				7170-79X	328170-112X
			379428-20	7170-65X	

Part Number	Used In		Part Number	Used In	
379428-22	7170-76X 7170-81X	7170-91X	379437-30	7170-84X	
379428-28	7170-61X	7170-76X	379437-46	7170-85X	
379428-32	7170-64X		379457-13	328170-101X 328170-203X	328170-79X
379428-34	7171-82X		379457-14	328170-156X 328170-82X 328170-98X 7170-1X 7170-34X 7170-43X 7170-45X 328170-86X 328170-96X 328794-13X 7170-2X 7170-37X 7170-42X 7170-4X	328170-77X 328170-84X 7170-12X 7170-33X 7170-35X 7170-44X 328170-98X 328170-82X 32810-172X 328170-12X 7170-34X 7170-39X 7170-43X
379428-36	7170-83X				
379428-40	7170-62X	7170-77X			
379428-44	7170-77X				
379428-54	7170-71X				
379428-60	7170-65X	7170-66X			
379428-78	7170-67X				
379429-16	7170-68X				
379429-18	328170-201X	328794-31X			
379429-22	328170-185X	7170-69X			
379429-30	7170-73X				
379429-36	7170-70X				
379429-74	7170-69X				
379433-10	328170-178X 328170-70X	328170-68X 328170-85X			
379433-12	328794-27X				
379433-13	328794-6X				
379433-14	328794-23X				
379433-18	328794-27X				
379433-4	328170-166X				
379433-5	328170-74X				
379433-6	7170-74X				
379433-9	328170-81X 328170-86X	328170-84X 328170-88X			

Offer of Sale

The items described in this document and other documents or descriptions provided by Parker Hannifin Corporation, its subsidiaries and its authorized distributors are hereby offered for sale at prices to be established by Parker Hannifin Corporation, its subsidiaries and its authorized distributors. This offer and its acceptance by any customer ("Buyer") shall be governed by all of the following Terms and Conditions. Buyer's order for any such items, when communicated to Parker Hannifin Corporation, its subsidiary or an authorized distributor ("Seller") verbally or in writing, shall constitute acceptance of this offer.

1. Terms and Conditions of Sale: All descriptions, quotations, proposals, offers, acknowledgments, acceptances and sales of Seller's products are subject to and shall be governed exclusively by the terms and conditions stated herein. Buyer's acceptance of any offer to sell is limited to these terms and conditions. Any terms or conditions in addition to, or inconsistent with those stated herein, proposed by Buyer in any acceptance of an offer by Seller, are hereby objected to. No such additional, different or inconsistent terms and conditions shall become part of the contract between Buyer and Seller unless expressly accepted in writing by Seller. Seller's acceptance of any offer to purchase by Buyer is expressly conditional upon Buyer's assent to all the terms and conditions stated herein, including any terms in addition to, or inconsistent with those contained in Buyer's offer. Acceptance of Seller's products shall in all events constitute such assent.

2. Payment: Payment shall be made by Buyer net 30 days from the date of delivery of the items purchased hereunder. Amounts not timely paid shall bear interest at the maximum rate permitted by law for each month or portion thereof that the Buyer is late in making payment. Any claims by Buyer for omissions or shortages in a shipment shall be waived unless Seller receives notice thereof within 30 days after Buyer's receipt of the shipment.

3. Delivery: Unless otherwise provided on the face hereof, delivery shall be made F.O.B. Seller's plant. Regardless of the method of delivery, however, risk of loss shall pass to Buyer upon Seller's delivery to a carrier. Any delivery dates shown are approximate only and Seller shall have no liability for any delays in delivery.

4. Warranty: Seller warrants that the items sold hereunder shall be free from defects in material or workmanship for a period of:

(A) All Power Take-Off units one (1) year from date of installation.

(B) Except 267, 277, 278, 242, 244, 250, 251 and 859 series two (2) years from date of installation. **THIS WARRANTY COMPRISES THE SOLE AND ENTIRE WARRANTY PERTAINING TO ITEMS PROVIDED HEREUNDER. SELLER MAKES NO OTHER WARRANTY, GUARANTEE, OR REPRESENTATION OF ANY KIND WHATSOEVER. ALL OTHER WARRANTIES, INCLUDING BUT NOT LIMITED TO, MERCHANTABILITY AND FITNESS FOR PURPOSE, WHETHER EXPRESS, IMPLIED, OR ARISING BY OPERATION OF LAW, TRADE USAGE, OR COURSE OF DEALING ARE HEREBY DISCLAIMED. NOTWITHSTANDING THE FOREGOING, THERE ARE NO WARRANTIES WHATSOEVER ON ITEMS BUILT OR ACQUIRED WHOLLY OR PARTIALLY, TO BUYER'S DESIGNS OR SPECIFICATIONS.**

5. Limitation Of Remedy: SELLER'S LIABILITY ARISING FROM OR IN ANY WAY CONNECTED WITH THE ITEMS SOLD OR THIS CONTRACT SHALL BE LIMITED EXCLUSIVELY TO REPAIR OR REPLACEMENT OF THE ITEMS SOLD OR REFUND OF THE PURCHASE PRICE PAID BY BUYER, AT SELLER'S SOLE OPTION. IN NO EVENT SHALL SELLER BE LIABLE FOR ANY INCIDENTAL, CONSEQUENTIAL OR SPECIAL DAMAGES OF ANY KIND OR NATURE WHATSOEVER, INCLUDING BUT NOT LIMITED TO LOST PROFITS ARISING FROM OR IN ANY WAY CONNECTED WITH THIS AGREEMENT OR ITEMS SOLD HEREUNDER, WHETHER ALLEGED TO ARISE FROM BREACH OF CONTRACT, EXPRESS OR IMPLIED WARRANTY, OR IN TORT, INCLUDING WITHOUT LIMITATION, NEGLIGENCE, FAILURE TO WARN OR STRICT LIABILITY.

6. Changes, Reschedules and Cancellations: Buyer may request to modify the designs or specifications for the items sold hereunder as well as the quantities and delivery dates thereof, or may request to cancel all or part of this order, however, no such requested modification or cancellation shall become part of the contract between Buyer and Seller unless accepted by Seller in a written amendment to this Agreement. Acceptance of any such requested modification or cancellation shall be at Seller's discretion, and shall be upon such terms and conditions as Seller may require.

7. Special Tooling: A tooling charge may be imposed for any special tooling, including without limitation, dies, fixtures, molds and patterns, acquired to manufacture items sold pursuant to this contract. Such special tooling shall be and remain Seller's property notwithstanding payment of any charges by Buyer. In no event will Buyer acquire any interest in apparatus belonging to Seller which is utilized in the manufacture of the items sold hereunder, even if such apparatus has been specially converted or adapted for such manufacture and notwithstanding any charges paid by Buyer. Unless otherwise agreed, Seller shall

have the right to alter, discard or otherwise dispose of any special tooling or other property in its sole discretion at any time.

8. Buyer's Property: Any designs, tools, patterns, materials, drawings, confidential information or equipment furnished by Buyer or any other items which become Buyer's property, may be considered obsolete and may be destroyed by Seller after two (2) consecutive years have elapsed without Buyer placing an order for the items which are manufactured using such property, Seller shall not be responsible for any loss or damage to such property while it is in Seller's possession or control.

9. Taxes: Unless otherwise indicated on the face hereof, all prices and charges are exclusive of excise, sales, use, property, occupational or like taxes which may be imposed by any taxing authority upon the manufacture, sale or delivery of the items sold hereunder. If any such taxes must be paid by Seller or if Seller is liable for the collection of such tax, the amount thereof shall be in addition to the amounts for the items sold. Buyer agrees to pay all such taxes or to reimburse Seller therefore upon receipt of its invoice. If Buyer claims exemption from any sales, use or other tax imposed by any taxing authority, Buyer shall save Seller harmless from and against any such tax, together with any interest or penalties thereon which may be assessed if the items are held to be taxable.

10. Indemnity For Infringement of Intellectual Property Rights: Seller shall have no liability for infringement of any patents, trademarks, copyrights, trade dress, trade secrets or similar rights except as provided in this Part 10. Seller will defend and indemnify Buyer against allegations of infringement of U.S. Patents, U.S. Trademarks, copyrights, trade dress and trade secrets (hereinafter 'Intellectual Property Rights'). Seller will defend at its expense and will pay the cost of any settlement or damages awarded in an action brought against Buyer based on an allegation that an item sold pursuant to this contract infringes the Intellectual Property Rights of a third party. Seller's obligation to defend and indemnify Buyer is contingent on Buyer notifying Seller within ten (10) days after Buyer becomes aware of such allegations of infringement, and Seller having sole control over the defense of any allegations or actions including all negotiations for settlement or compromise. If an item sold hereunder is subject to a claim that it infringes the Intellectual Property Rights of a third party, Seller may, at its sole expense and option, procure for Buyer the right to continue using said item, replace or modify said item so as to make it noninfringing, or offer to accept return of said item and return the purchase price less a reasonable allowance for depreciation. Notwithstanding the foregoing, Seller shall have no liability for claims of infringement based on information provided by Buyer, or directed to items delivered hereunder for which the designs are specified in whole or part by Buyer, or infringements resulting from the modification, combination or use in a system of any item sold hereunder. The foregoing provisions of this Part 10 shall constitute Seller's sole and exclusive liability and Buyer's sole and exclusive remedy for infringement of Intellectual Property Rights.

If a claim is based on information provided by Buyer or if the design for an item delivered hereunder is specified in whole or in part by Buyer, Buyer shall defend and indemnify Seller for all costs, expenses or judgments resulting from any claim that such item infringes any patent, trademark, copyright, trade dress, trade secret or any similar right.

11. Force Majeure: Seller does not assume the risk of and shall not be liable for delay or failure to perform any of Seller's obligations by reason of circumstances beyond the reasonable control of Seller (hereinafter 'Events of Force Majeure'). Events of Force Majeure shall include without limitation, accidents, acts of God, strikes or labor disputes, acts, laws, rules or regulations of any government or government agency, fires, floods, delays or failures in delivery of carriers or suppliers, shortages of materials and any other cause beyond Seller's control.

12. Entire Agreement/Governing Law: The terms and conditions set forth herein, together with any amendments, modifications and any different terms or conditions expressly accepted by Seller in writing, shall constitute the entire Agreement concerning the items sold, and there are no oral or other representations or agreements which pertain there/to. This Agreement shall be governed in all respects by the law of the State of Ohio. No actions arising out of the sale of the items sold hereunder or this Agreement may be brought by either party more than two (2) years after the cause of action accrues.

9/01-P



Parker Hannifin Corporation
Chelsea Products Division
8225 Hacks Cross Road
Olive Branch, Mississippi 38654 USA
Tel: (662) 895-1011
Fax: (662) 895-1019
www.parker.com/chelsea

FP 03/02 5M